



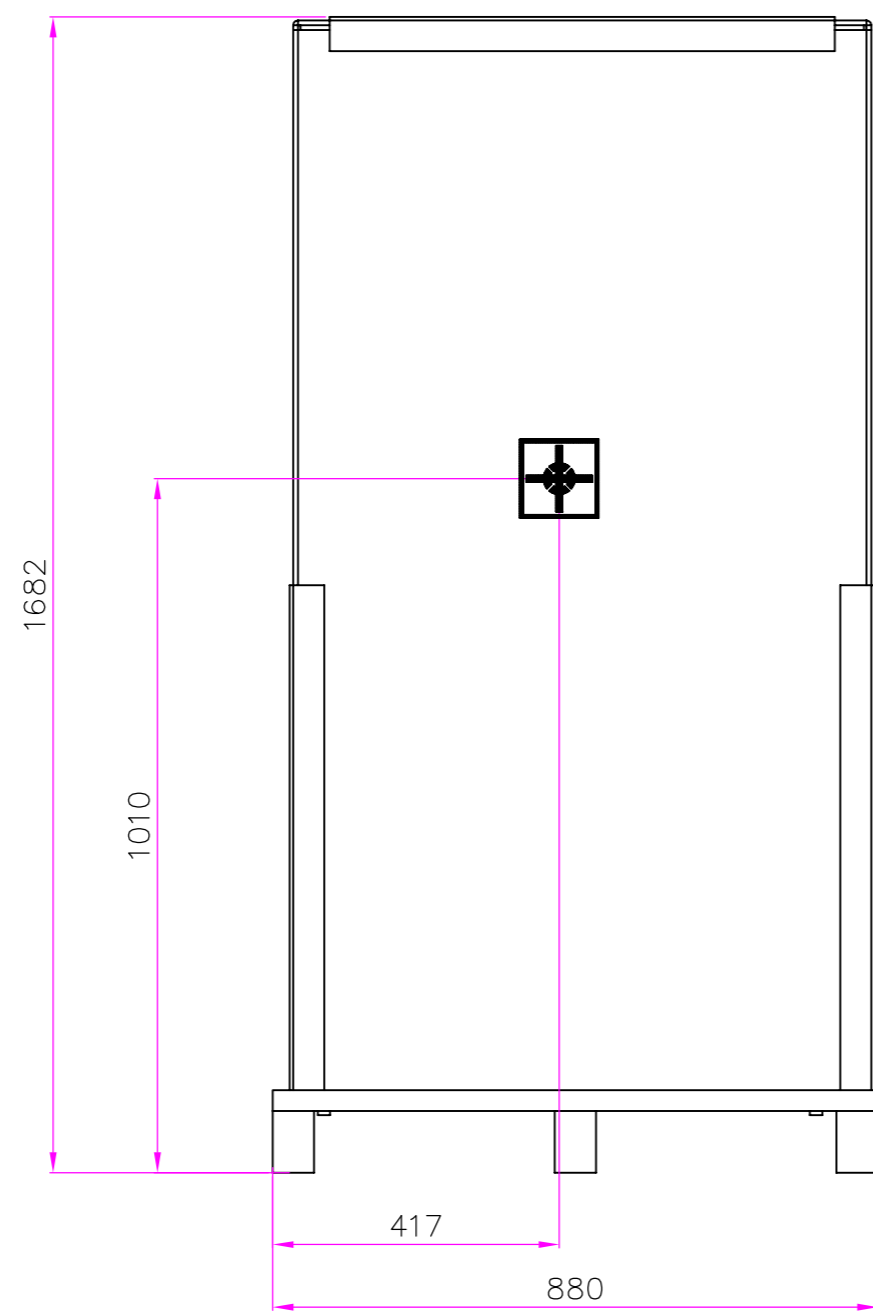
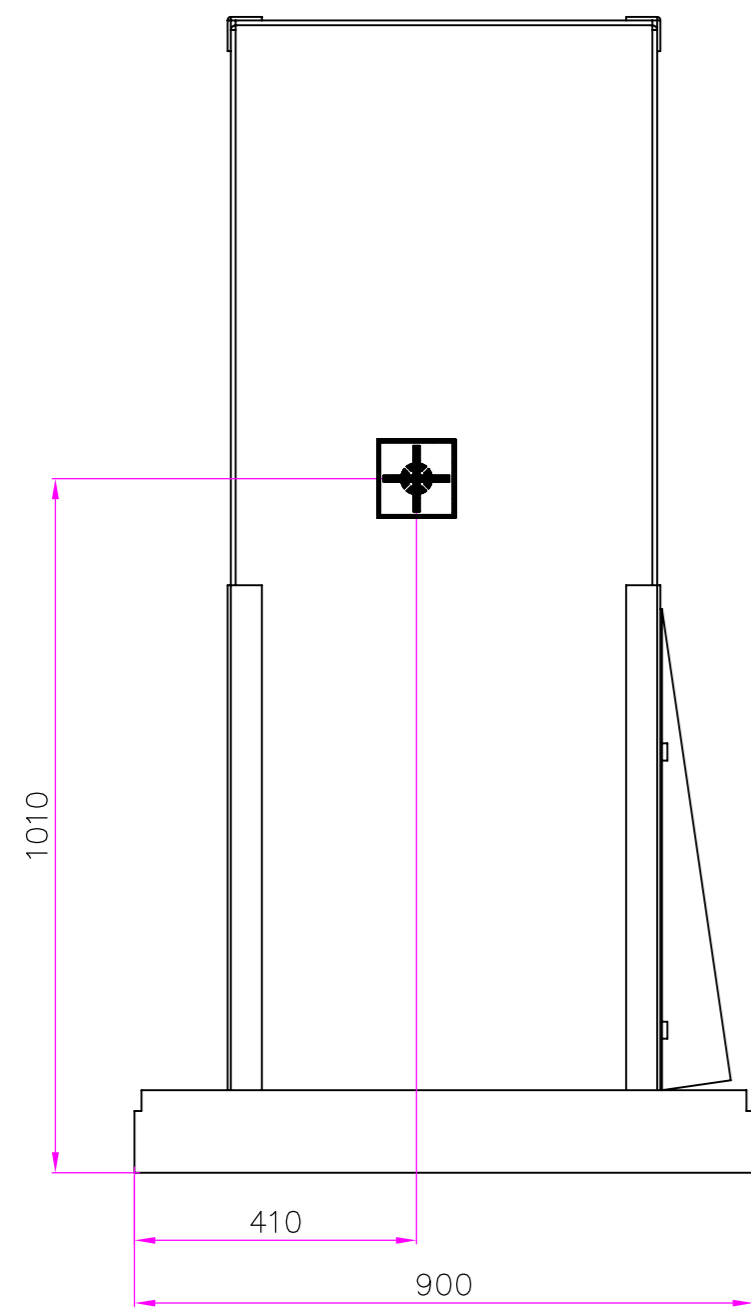
Powering Business Worldwide

SITE PLANNING DATA 93E 40KVA

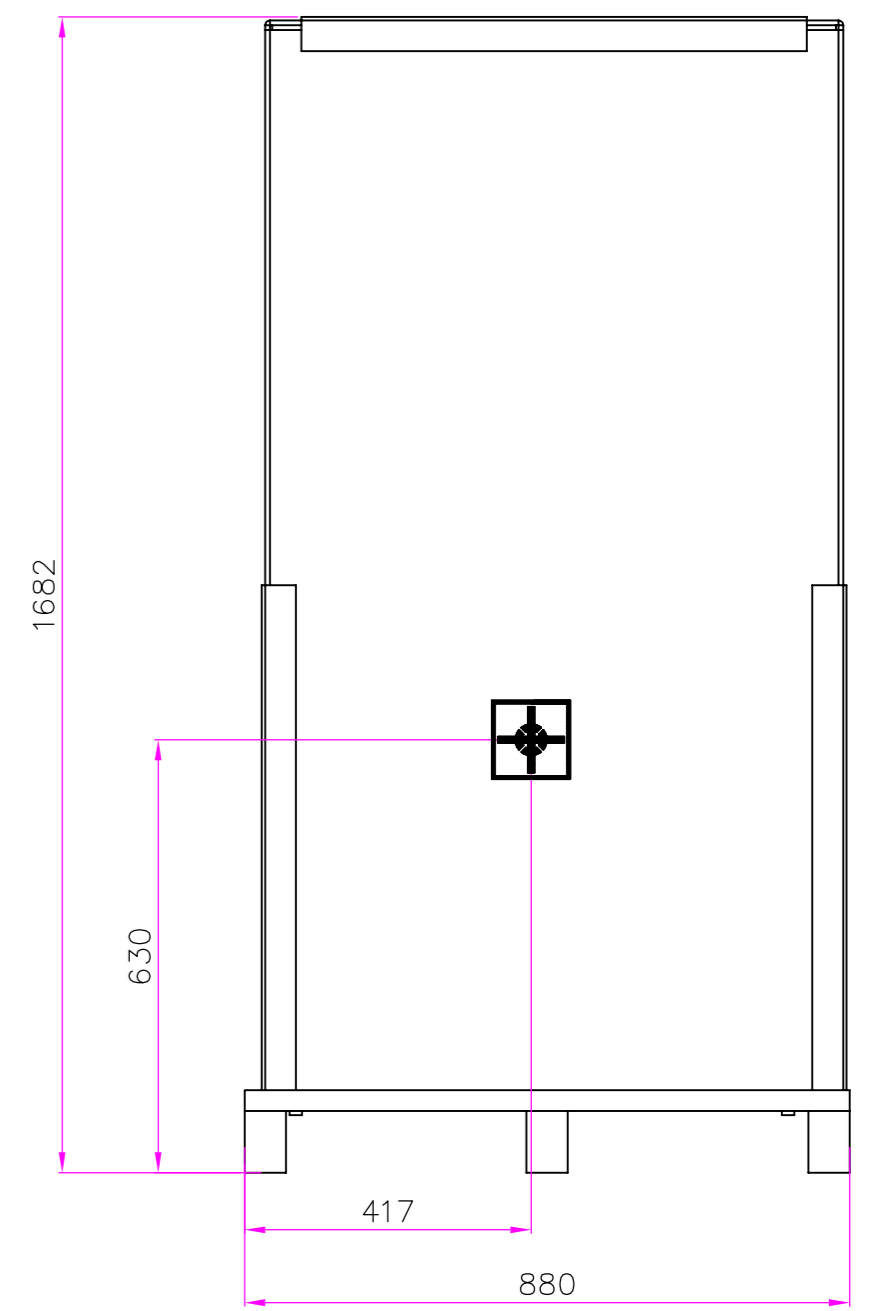
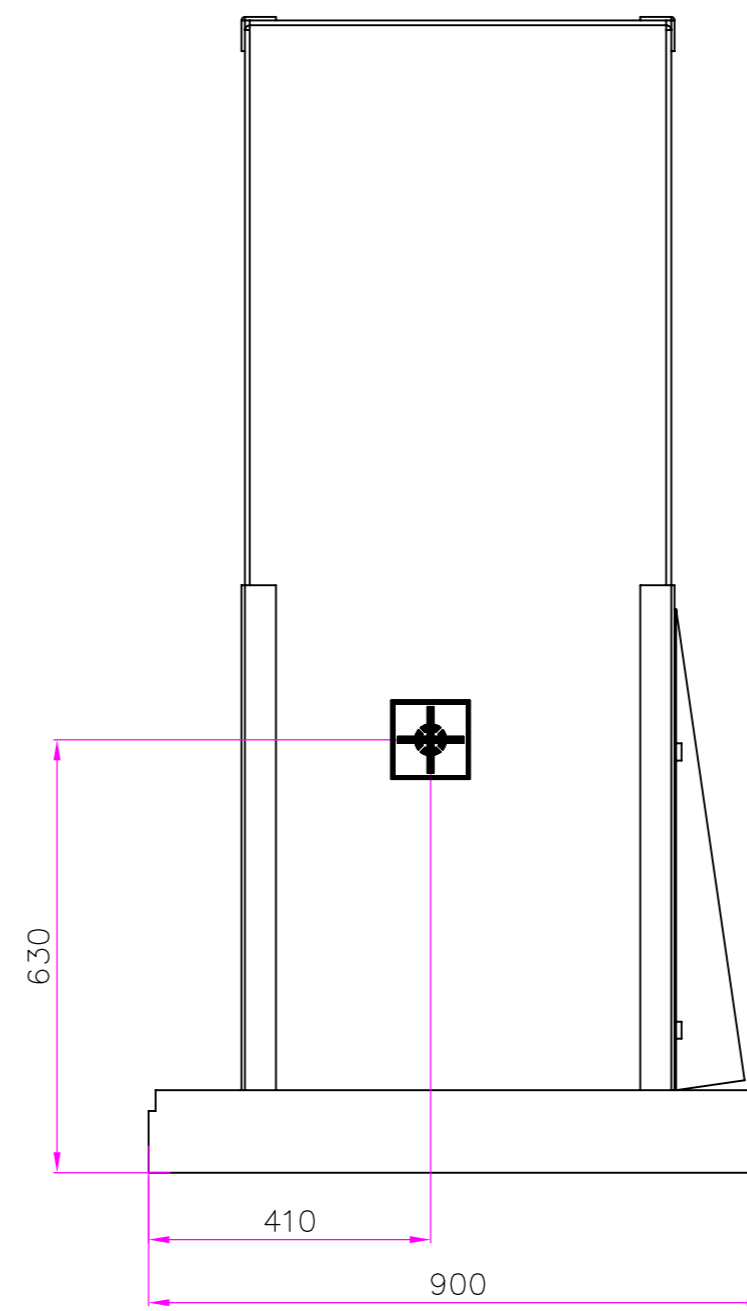
| | |
|--------|--|
| Page 1 | Packaging Dimensions |
| Page 2 | Dimensional Drawings |
| Page 3 | COG and Clearance Dimensions |
| Page 4 | Customer Connections |
| Page 5 | Electrical Wiring of Single Unit |
| Page 6 | Electrical & Signal Wiring of Parallel Units |
| Page 7 | Product Specifications |



| | | | | | | | |
|---|------------|--------------------------------|-------|-------------------|------------|--|--|
| METRIC | | THIRD ANGLE PROJECTION | | EATON CORPORATION | | | |
| DIMENSIONS ARE IN MILLIMETERS AFTER PLATING, DIMENSIONS AND TOLERANCES IN ACCORDANCE WITH ASME Y14.5M-1994. SEE NOTES FOR TOLERANCES. | | | | | | | |
| DESCRIPTION: 93E 40KVA | | | | | | | |
| ORIGINATED: Atif Rasheed | 28-08-2015 | ECO: | NAME: | REVISION: 001 | SIZE: A2 | | |
| MODIFIED: | | | | STATE: RELEASED | SCALE: 1:1 | | |
| CHECKED: | | DOCUMENT TYPE: AUTOCAD DRAWING | | | SHEET: OF | | |
| SAFETY: | | | | | | | |
| APPROVED: | | | | | | | |
| EATON CORPORATION - CONFIDENTIAL AND PROPRIETARY NOTICE TO PERSONS RECEIVING THIS DOCUMENT AND/OR TECHNICAL INFORMATION THIS DOCUMENT, INCLUDING THE DRAWING AND INFORMATION CONTAINED THEREIN, IS CONFIDENTIAL AND IS THE EXCLUSIVE PROPERTY OF EATON CORPORATION, AND IS LOANED AND SUBJECT TO RECALL BY EATON AT ANY TIME. BY TAKING POSSESSION OF THIS DOCUMENT, THE RECIPIENT ACKNOWLEDGES AND AGREES THAT THIS DOCUMENT CANNOT BE USED IN ANY MANNER ADVERSE TO THE INTERESTS OF EATON AND THAT NO PORTION OF THIS DOCUMENT MAY BE COPIED OR OTHERWISE REPRODUCED WITHOUT THE PRIOR WRITTEN CONSENT OF EATON. IN THE CASE OF CONFLICTING CONTRACTS, PROVISIONS, THIS NOTICE SHALL GOVERN THE STATUS OF THIS DOCUMENT. © 2011 Eaton Corporation - All Rights Reserved. | | | | | | | |



COG dimensions without internal batteries



COG dimensions with internal batteries

Notes:

1. The COG dimensions are approximated values with Pallet and packaging including Batteries and without Batteries.
2. The COG dimensions of UPS cabinet with package are X=410mm, Y=417mm, Z=630mm including Batteries and X=410mm, Y=417mm, Z=1010mm without Batteries.
3. Store the unit in dry and clean environment. Protect the unit from high humidity, rain or other direct exposure to water and also protect it from exposure to dirt and dust.
4. Optimal storing temperature for the unit without batteries is +15°C to +30°C and for batteries +20°C to +25°C.
5. Unites without batteries can be stored in -25°C to +55°C without risk of remediate damaging.
6. Storing batteries above +25°C will shorten the battery lifetime.
7. Batteries can be stored for six months without charging in temperature +20°C to +25°C, but batteries should not be stored uninstalled more than absolute necessary.
8. If batteries are stored above +25°C then batteries should be charged every four months.
9. Storing batteries longer than recommended without charging can harm the battery permanently.

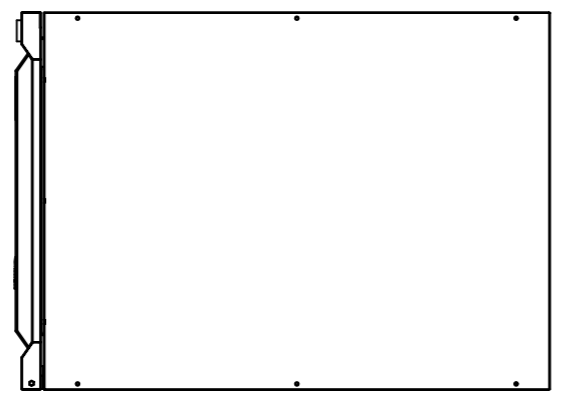
| Product Specifications | | | | |
|------------------------|----|------------------------------|--|---|
| UPS Rating | | Shipping Dimensions WXDXH | Approx. Weight Shipping with Batteries | Approx. Weight Shipping without Batteries |
| KVA | KW | MM | Kg | Kg |
| 40 | 36 | 900*880*1680 | 533 | 215.5 |

| | | | | | |
|---|------------|-------------------|-------|-----------------|---------------|
| METRIC | | EATON CORPORATION | | | |
| DIMENSIONS ARE IN MILLIMETERS AFTER PLATING, DIMENSIONS AND TOLERANCES IN ACCORDANCE WITH ASME Y14.5M-1994. SEE NOTES FOR TOLERANCES. | | | | | |
| DESCRIPTION: 93E 40KVA Packaging Dimensions | | | | | |
| ORIGINATED: Atif Rosheed | 28-08-2015 | ECO: | NAME: | REVISION: 001 | SIZE: A2 |
| MODIFIED: | | | | STATE: RELEASED | SCALE: 1:11 |
| CHECKED: | | DOCUMENT TYPE: | | | SHEET: 1 OF 7 |
| SAFETY: | | AUTOCAD DRAWING | | | |
| APPROVED: | | | | | |

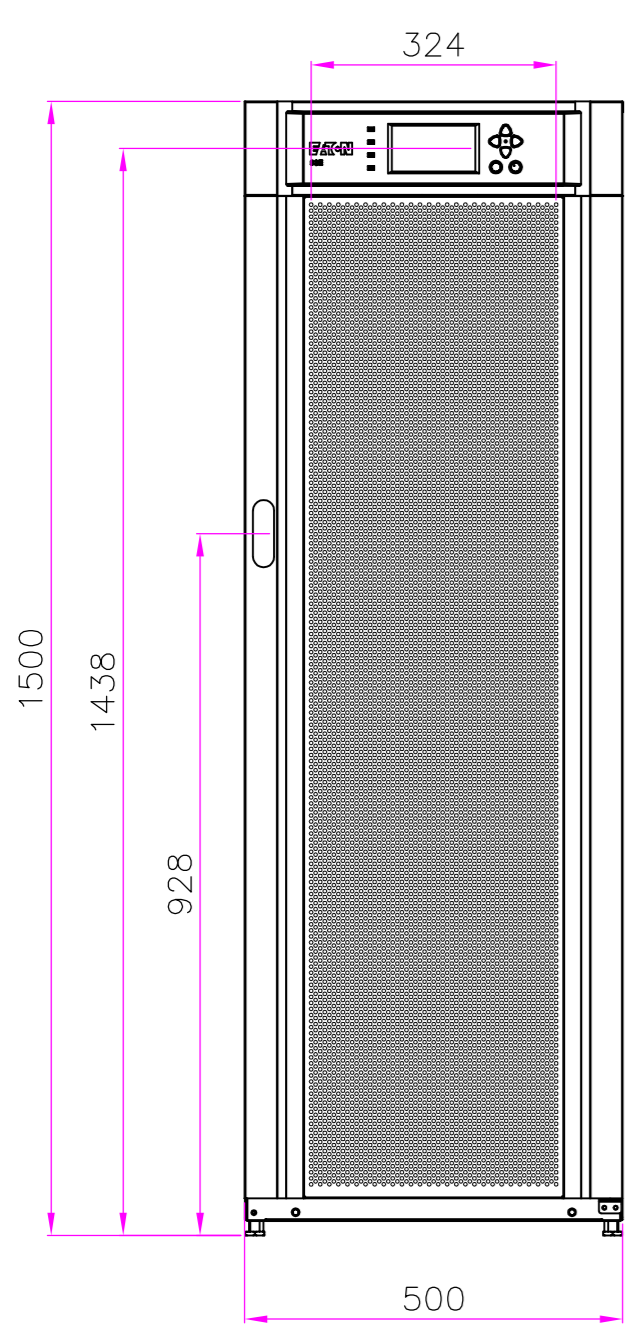
EATON CORPORATION - CONFIDENTIAL AND PROPRIETARY
 NOTICE TO PERSONS RECEIVING THIS DOCUMENT AND/OR TECHNICAL INFORMATION
 THIS DOCUMENT, INCLUDING THE DRAWING AND INFORMATION CONTAINED THEREIN, IS CONFIDENTIAL AND IS THE EXCLUSIVE PROPERTY OF EATON CORPORATION, AND IS HEREBY ON LOAN AND SUBJECT TO RECALL BY EATON AT ANY TIME.
 BY TAKING POSSESSION OF THIS DOCUMENT, THE RECIPIENT ACKNOWLEDGES AND AGREES THAT THIS DOCUMENT CANNOT BE USED IN ANY MANNER ADVERSE TO THE INTERESTS OF EATON AND THAT NO PORTION OF THIS DOCUMENT MAY BE COPIED OR OTHERWISE REPRODUCED WITHOUT THE PRIOR WRITTEN CONSENT OF EATON. IN THE CASE OF CONFLICTING CONTRACTUAL PROVISIONS, THIS NOTICE SHALL GOVERN THE STATUS OF THIS DOCUMENT.
 © 2011 Eaton Corporation - All Rights Reserved.

Product Specifications

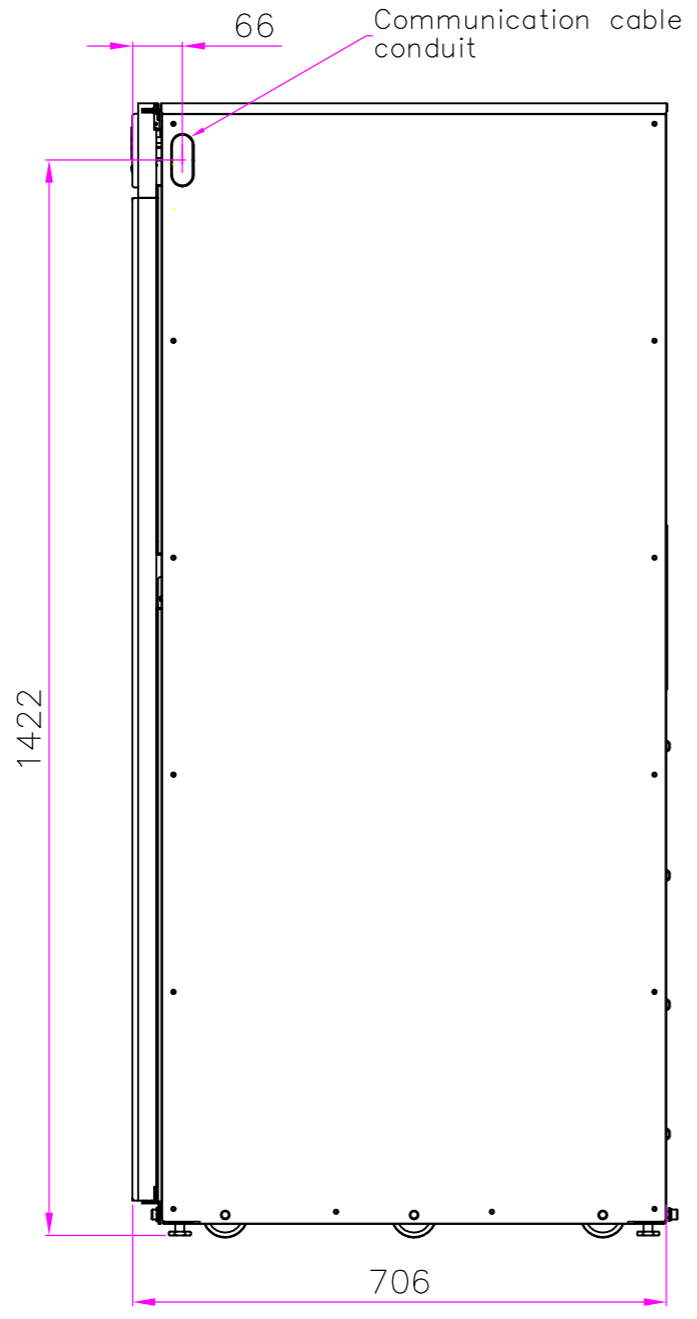
| UPS Rating | | Max Heat Dissipation at 100% Load | Cabinet Dimensions W X D X H | Shipping Dimensions W X D X H | Approx. Weight Cabinet without Batteries | Approx. Weight Cabinet with Batteries | Approx. Weight Shipping without Batteries | Approx. Weight Shipping with Batteries | Floor Loading without Batteries | Floor Loading with Batteries | Cooling Air |
|------------|----|-----------------------------------|------------------------------|-------------------------------|--|---------------------------------------|---|--|---------------------------------|------------------------------|-------------|
| KVA | KW | KW | MM | MM | Kg | Kg | Kg | Kg | Points/Kg | Points/Kg | L/s |
| 40 | 36 | 2.49 | 500X706X1500 | 900X880X1680 | 193.5 | 508 | 215.5 | 533 | 6/32 | 6/85 | 218 |



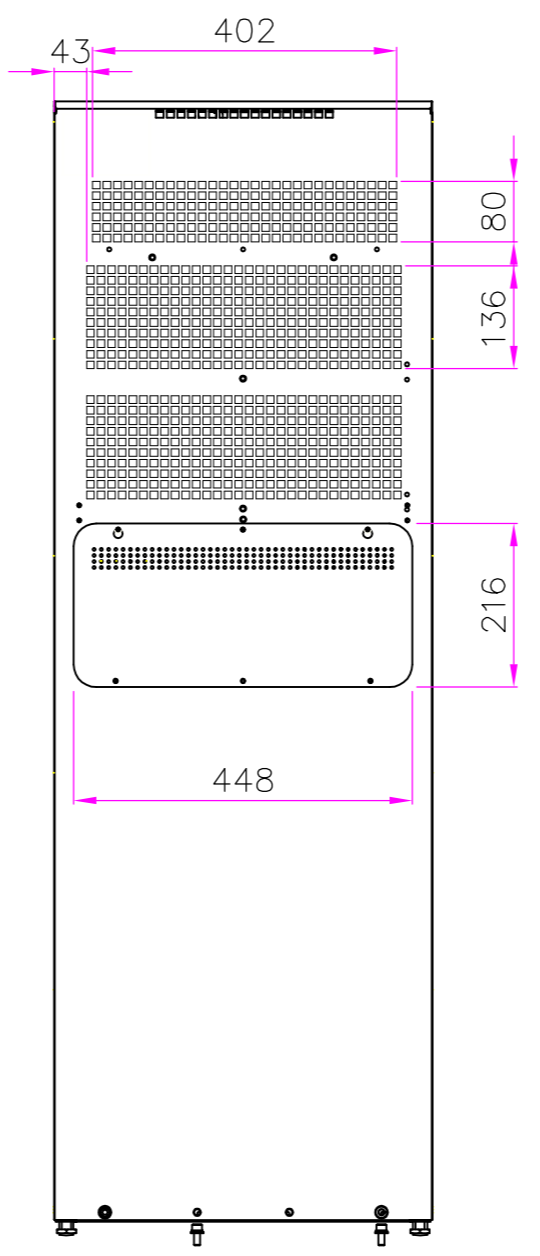
TOP VIEW



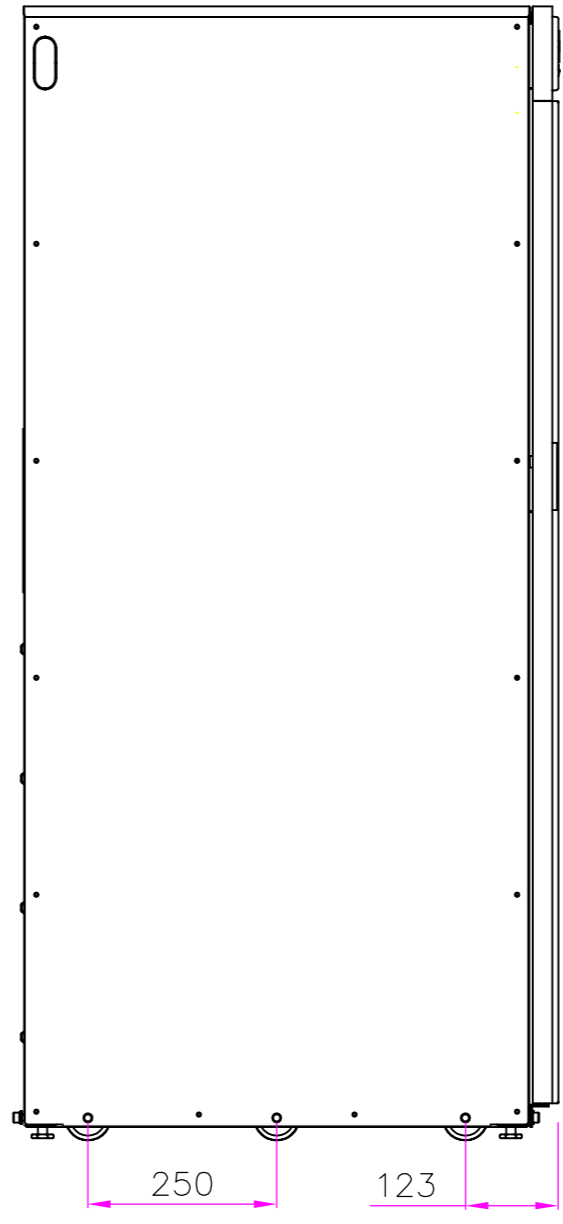
FRONT VIEW



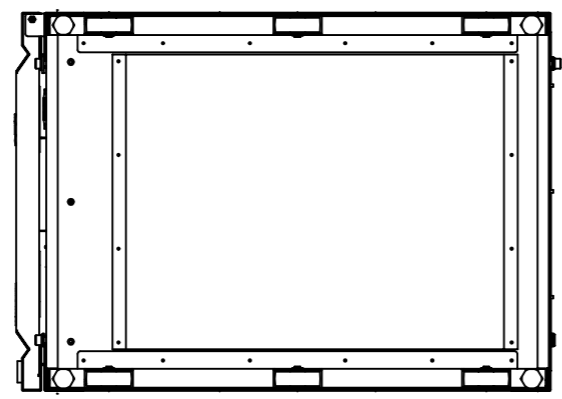
LEFT VIEW



REAR VIEW



RIGHT VIEW



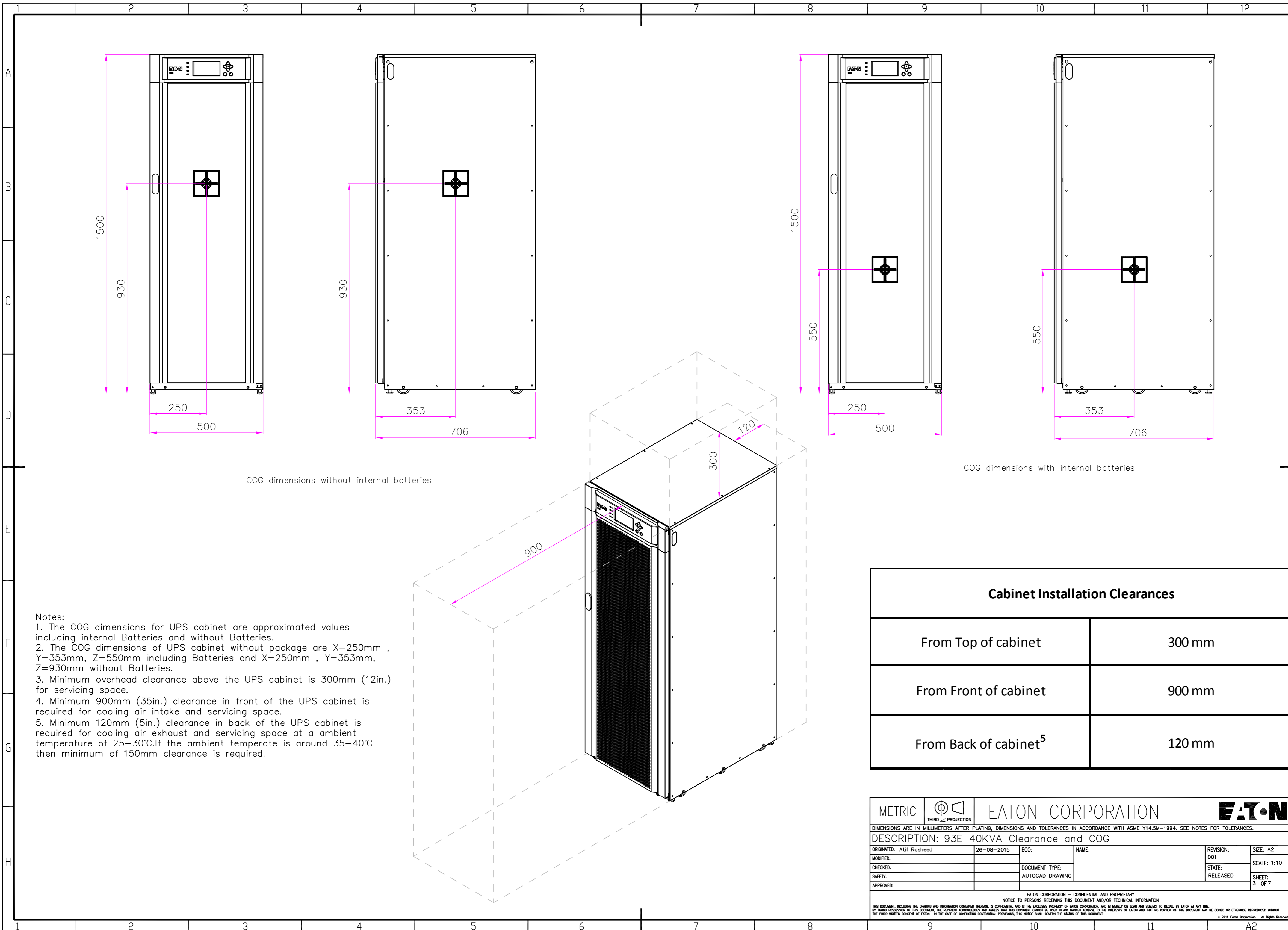
BOTTOM VIEW

Notes:

1. The system must be installed in a temperature and humidity controlled indoor area free of conductive contaminants.
2. Continuous ambient temperature range: 0–40°C (32–104F); Maximum relative humidity: 95% non–condensing.
3. The UPS can be installed in line–up–and–match or standalone configurations.
4. Cable access plates shall be custom–modified to suit conduit sizes.

| | | | | | |
|---|------------|-------------------|--------------------------------|-----------------|---------------|
| METRIC | | EATON CORPORATION | | | |
| DIMENSIONS ARE IN MILLIMETERS AFTER PLATING, DIMENSIONS AND TOLERANCES IN ACCORDANCE WITH ASME Y14.5M–1994. SEE NOTES FOR TOLERANCES. | | | | | |
| DESCRIPTION: 93E 40KVA Dimensional Drawing | | | | | |
| ORIGINATED: Atif Rosheed | 26–08–2015 | ECO: | NAME: | REVISION: 001 | SIZE: A2 |
| MODIFIED: | | CHECKED: | DOCUMENT TYPE: AUTOCAD DRAWING | STATE: RELEASED | SCALE: 1:10 |
| SAFETY: | | APPROVED: | | | SHEET: 2 OF 7 |

NOTICE TO PERSONS RECEIVING THIS DOCUMENT AND/OR TECHNICAL INFORMATION: THIS DOCUMENT, INCLUDING THE DRAWING AND INFORMATION CONTAINED THEREIN, IS CONFIDENTIAL AND IS THE EXCLUSIVE PROPERTY OF EATON CORPORATION AND IS HEREBY ON LOAN AND SUBJECT TO RECALL BY EATON AT ANY TIME. BY TAKING POSSESSION OF THIS DOCUMENT, THE RECIPIENT ACKNOWLEDGES AND AGREES THAT THIS DOCUMENT CANNOT BE USED IN ANY MANNER ADVERSE TO THE INTERESTS OF EATON AND THAT NO PORTION OF THIS DOCUMENT MAY BE COPIED OR OTHERWISE REPRODUCED WITHOUT THE PRIOR WRITTEN CONSENT OF EATON. IN THE CASE OF CONFLICTING CONTRACTUAL PROVISIONS, THIS NOTICE SHALL GOVERN THE STATUS OF THIS DOCUMENT.



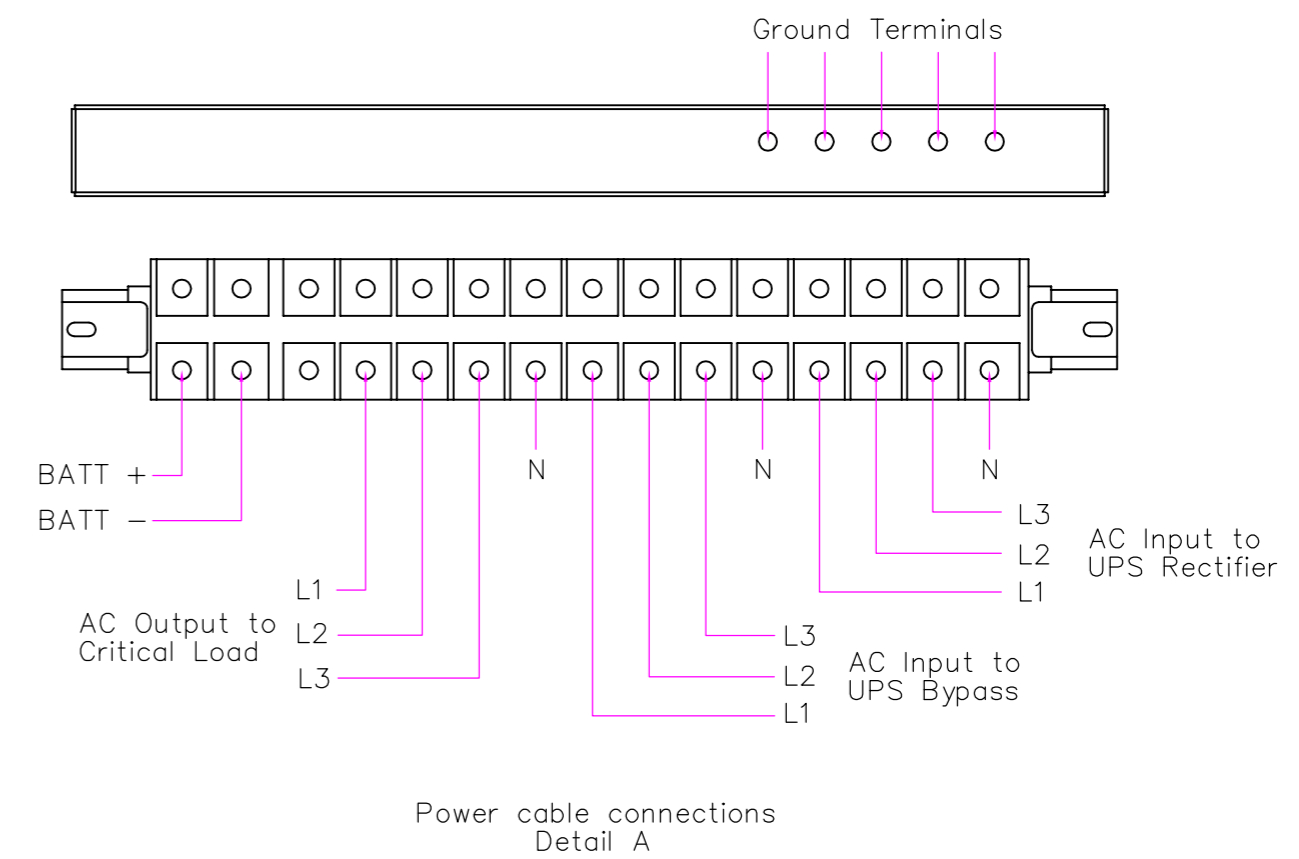
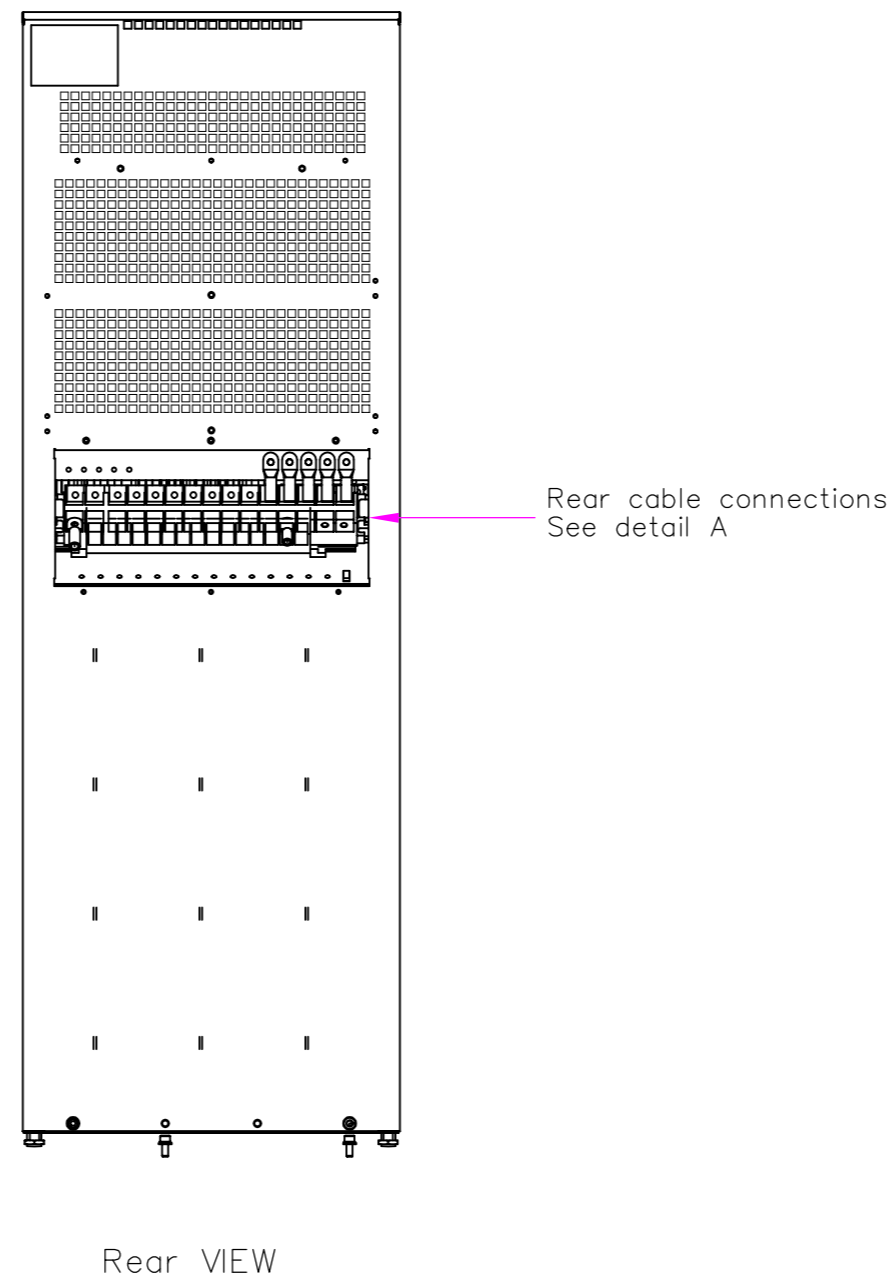
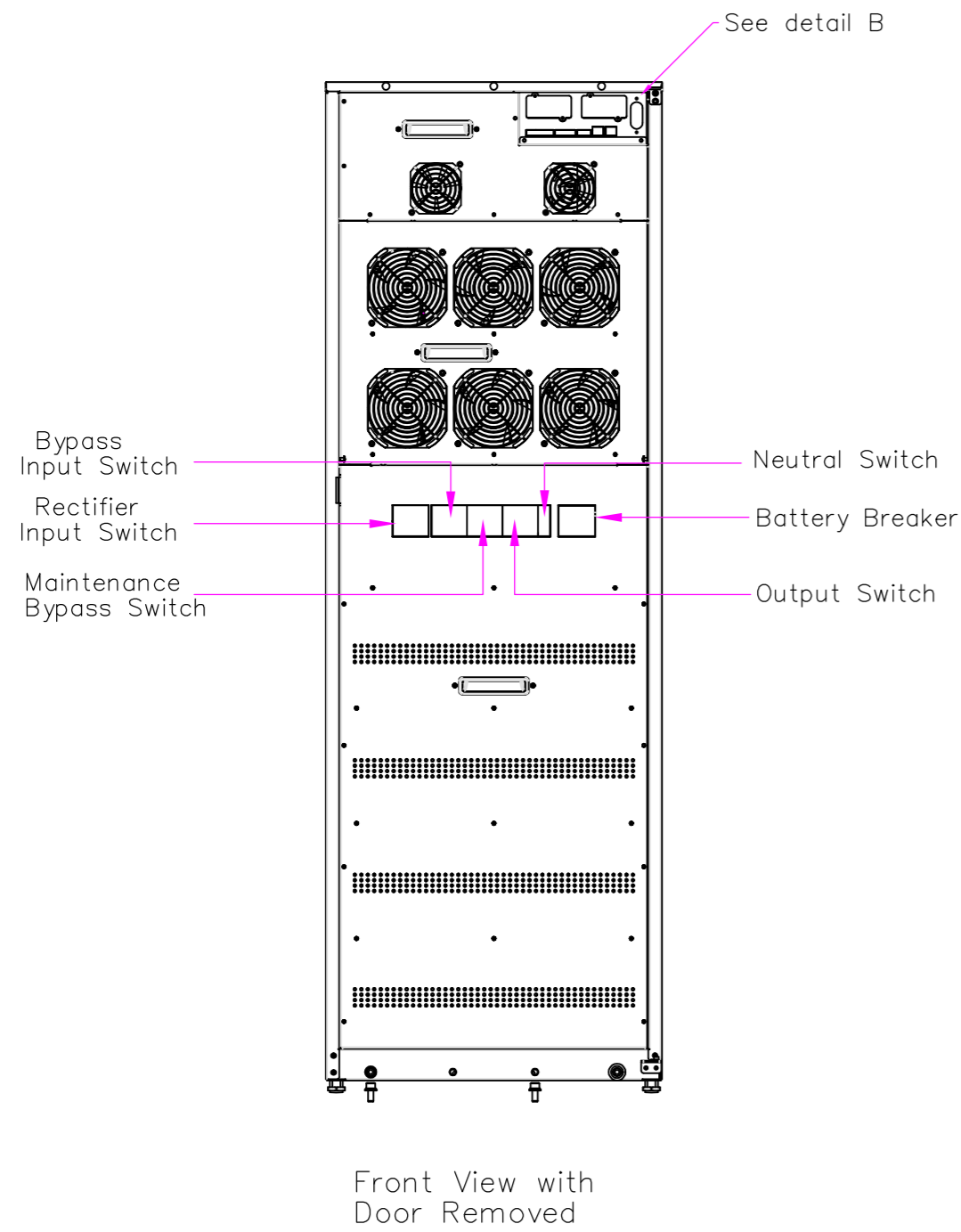
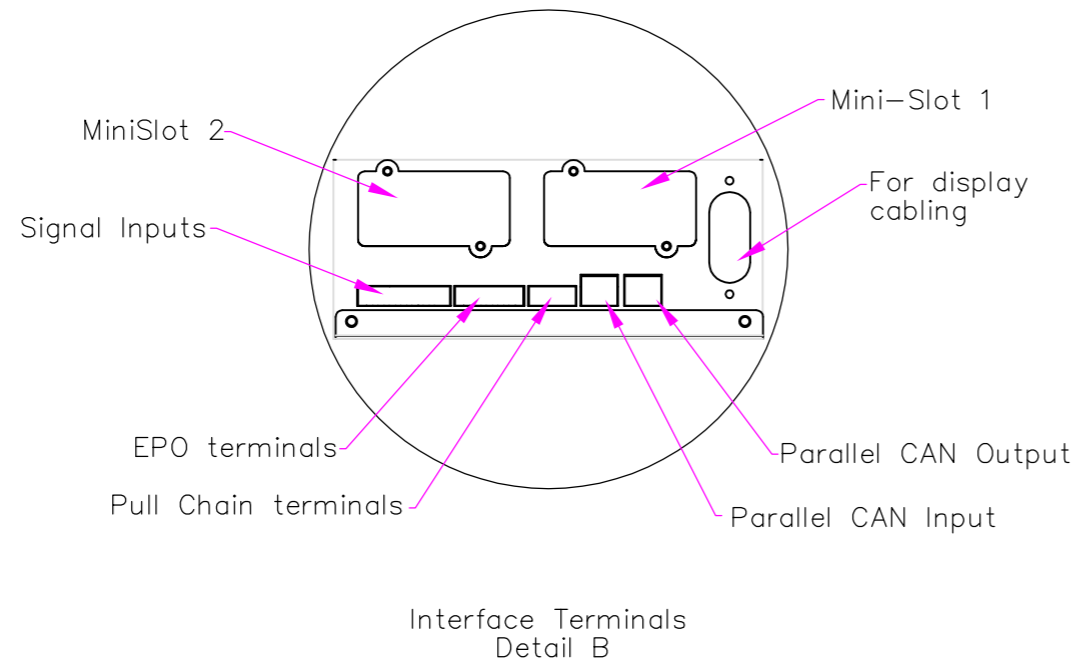
COG dimensions without internal batteries

COG dimensions with internal batteries

- Notes:
1. The COG dimensions for UPS cabinet are approximated values including internal Batteries and without Batteries.
 2. The COG dimensions of UPS cabinet without package are X=250mm , Y=353mm, Z=550mm including Batteries and X=250mm , Y=353mm, Z=930mm without Batteries.
 3. Minimum overhead clearance above the UPS cabinet is 300mm (12in.) for servicing space.
 4. Minimum 900mm (35in.) clearance in front of the UPS cabinet is required for cooling air intake and servicing space.
 5. Minimum 120mm (5in.) clearance in back of the UPS cabinet is required for cooling air exhaust and servicing space at a ambient temperature of 25–30°C. If the ambient temperature is around 35–40°C then minimum of 150mm clearance is required.

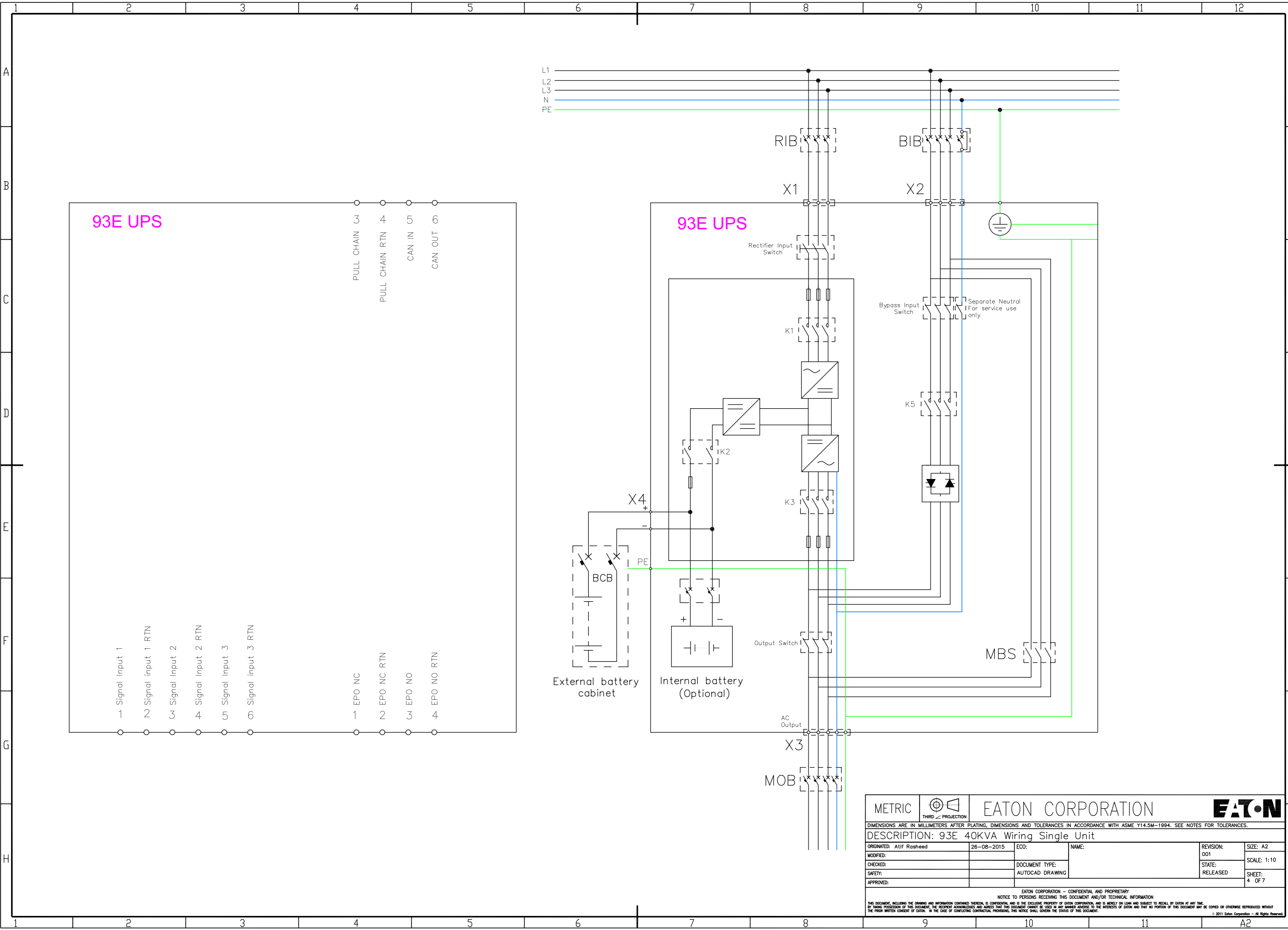
| Cabinet Installation Clearances | |
|-----------------------------------|--------|
| From Top of cabinet | 300 mm |
| From Front of cabinet | 900 mm |
| From Back of cabinet ⁵ | 120 mm |

| | | | | | |
|---|------------|--------------------------------|-------|-----------------|---------------|
| METRIC | | EATON CORPORATION | | | |
| DIMENSIONS ARE IN MILLIMETERS AFTER PLATING, DIMENSIONS AND TOLERANCES IN ACCORDANCE WITH ASME Y14.5M-1994. SEE NOTES FOR TOLERANCES. | | | | | |
| DESCRIPTION: 93E 40KVA Clearance and COG | | | | | |
| ORIGINATED: Atif Rosheed | 26-08-2015 | ECO: | NAME: | REVISION: 001 | SIZE: A2 |
| MODIFIED: | | | | STATE: RELEASED | SCALE: 1:10 |
| CHECKED: | | DOCUMENT TYPE: AUTOCAD DRAWING | | | SHEET: 3 OF 7 |
| SAFETY: | | | | | |
| APPROVED: | | | | | |
| <small>EATON CORPORATION - CONFIDENTIAL AND PROPRIETARY NOTICE TO PERSONS RECEIVING THIS DOCUMENT AND/OR TECHNICAL INFORMATION THIS DOCUMENT, INCLUDING THE DRAWING AND INFORMATION CONTAINED THEREIN, IS CONFIDENTIAL AND IS THE EXCLUSIVE PROPERTY OF EATON CORPORATION, AND IS HEREBY ON LOAN AND SUBJECT TO RECALL BY EATON AT ANY TIME. BY TAKING POSSESSION OF THIS DOCUMENT, THE RECIPIENT ACKNOWLEDGES AND AGREES THAT THIS DOCUMENT CANNOT BE USED IN ANY MANNER ADVERSE TO THE INTERESTS OF EATON AND THAT NO PORTION OF THIS DOCUMENT MAY BE COPIED OR OTHERWISE REPRODUCED WITHOUT THE PRIOR WRITTEN CONSENT OF EATON. IN THE CASE OF CONFLICTING CONTRACTUAL PROVISIONS, THIS NOTICE SHALL GOVERN THE STATUS OF THIS DOCUMENT. © 2011 Eaton Corporation - All Rights Reserved.</small> | | | | | |

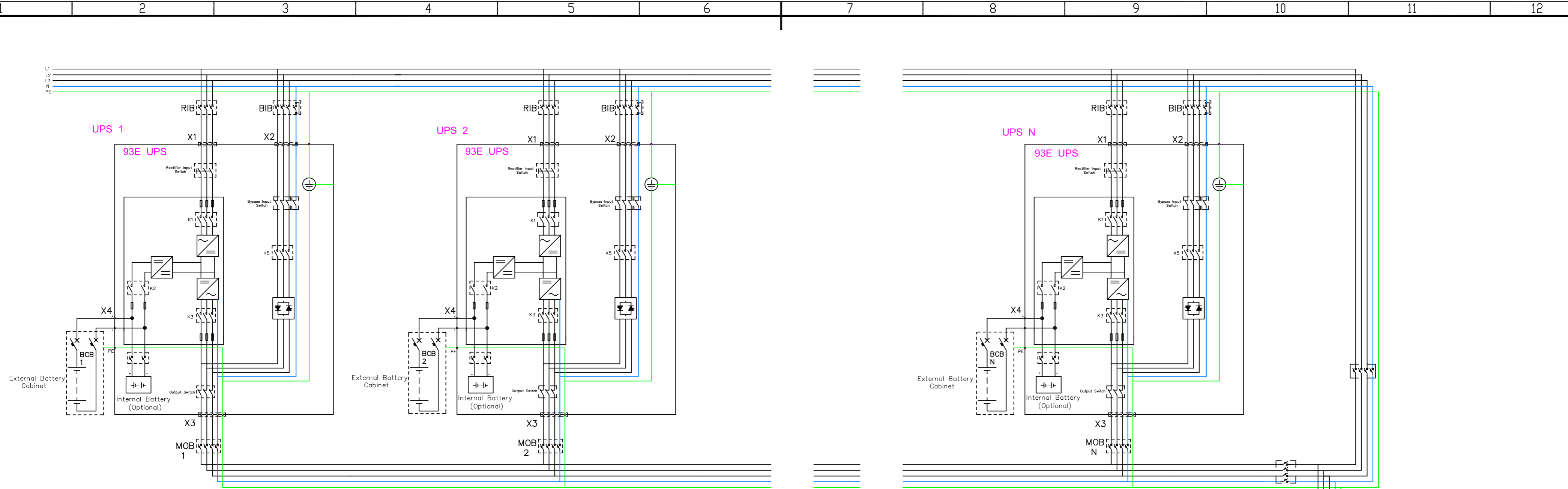


- Notes:
1. M8 size power cable terminals are used for UPS input and output (L1,L2,L3,N) connections. It requires approximately 12Nm of tightening torque.
 2. M8 size power cable terminals are used for PE connections and it requires approximately 24Nm of tightening torque.

| | | | | | | | | |
|---|------------|------------------------|-------|-------------------|---------------|--|--------------|--|
| METRIC | | THIRD ANGLE PROJECTION | | EATON CORPORATION | | | EAT•N | |
| DIMENSIONS ARE IN MILLIMETERS AFTER PLATING, DIMENSIONS AND TOLERANCES IN ACCORDANCE WITH ASME Y14.5M-1994. SEE NOTES FOR TOLERANCES. | | | | | | | | |
| DESCRIPTION: 93E 40KVA Customer Connections | | | | | | | | |
| ORIGINATED: Atif Rasheed | 26-08-2015 | ECO: | NAME: | REVISION: 001 | SIZE: A2 | | | |
| MODIFIED: | | | | STATE: RELEASED | SCALE: 1:10 | | | |
| CHECKED: | | DOCUMENT TYPE: | | | SHEET: 4 OF 7 | | | |
| SAFETY: | | AUTOCAD DRAWING | | | | | | |
| APPROVED: | | | | | | | | |
| <p style="text-align: center;">EATON CORPORATION - CONFIDENTIAL AND PROPRIETARY</p> <p style="text-align: center;">NOTICE TO PERSONS RECEIVING THIS DOCUMENT AND/OR TECHNICAL INFORMATION</p> <p style="text-align: center;">THIS DOCUMENT, INCLUDING THE DRAWING AND INFORMATION CONTAINED THEREON, IS CONFIDENTIAL AND IS THE EXCLUSIVE PROPERTY OF EATON CORPORATION, AND IS MERELY ON LOAN AND SUBJECT TO RECALL BY EATON AT ANY TIME. BY TAKING POSSESSION OF THIS DOCUMENT, THE RECIPIENT ACKNOWLEDGES AND AGREES THAT THIS DOCUMENT CANNOT BE USED IN ANY MANNER ADVERSE TO THE INTERESTS OF EATON AND THAT NO PORTION OF THIS DOCUMENT MAY BE COPIED OR OTHERWISE REPRODUCED WITHOUT THE PRIOR WRITTEN CONSENT OF EATON. IN THE CASE OF CONFLICTING CONTRACTUAL PROVISIONS, THIS NOTICE SHALL GOVERN THE STATUS OF THIS DOCUMENT.</p> <p style="text-align: right;">© 2011 Eaton Corporation - All Rights Reserved.</p> | | | | | | | | |

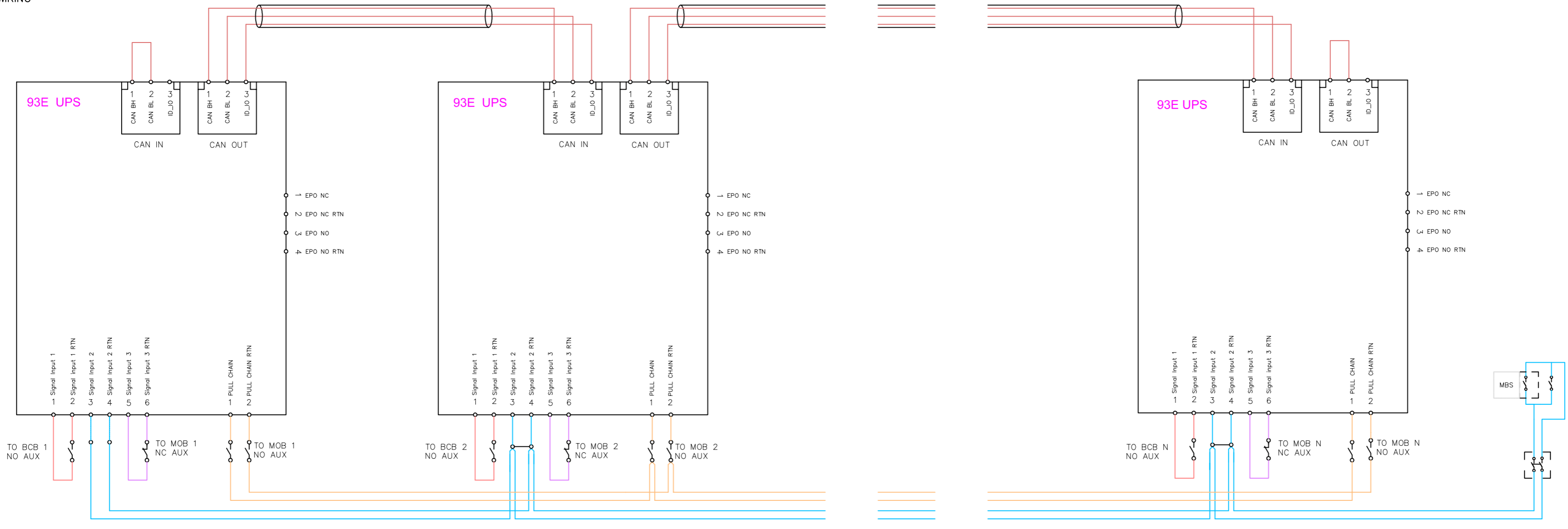


| | | | | | | | | | |
|--|------------|--------------------------------|-------|-------------------|-------------|---------------|----------|--|--|
| METRIC | | THIRD ANGLE PROJECTION | | EATON CORPORATION | | | | | |
| DIMENSIONS ARE IN MILLIMETERS AFTER PLATING, DIMENSIONS AND TOLERANCES IN ACCORDANCE WITH ASME Y14.5M-1994. SEE NOTES FOR TOLERANCES. | | | | | | | | | |
| DESCRIPTION: 93E 40KVA Wiring Single Unit | | | | | | | | | |
| ORIGINATED: Atif Rasheed | 26-08-2015 | ECO: | NAME: | | | REVISION: 001 | SIZE: A2 | | |
| MODIFIED: | | DOCUMENT TYPE: AUTOCAD DRAWING | | STATE: RELEASED | SCALE: 1:10 | | | | |
| CHECKED: | | | | SHEET: 4 OF 7 | | | | | |
| SAFETY: | | | | | | | | | |
| APPROVED: | | | | | | | | | |
| <p style="text-align: center;">EATON CORPORATION - CONFIDENTIAL AND PROPRIETARY</p> <p style="text-align: center;">NOTICE TO PERSONS RECEIVING THIS DOCUMENT AND/OR TECHNICAL INFORMATION</p> <p style="text-align: center;">THIS DOCUMENT, INCLUDING THE DRAWING AND INFORMATION CONTAINED THEREON, IS CONFIDENTIAL AND IS THE EXCLUSIVE PROPERTY OF EATON CORPORATION AND IS MERELY ON LOAN AND SUBJECT TO RECALL BY EATON AT ANY TIME. BY TAKING POSSESSION OF THIS DOCUMENT, THE RECIPIENT ACKNOWLEDGES AND AGREES THAT THIS DOCUMENT CANNOT BE USED IN ANY MANNER ADVERSE TO THE INTERESTS OF EATON AND THAT NO PORTION OF THIS DOCUMENT MAY BE COPIED OR OTHERWISE REPRODUCED WITHOUT THE PRIOR WRITTEN CONSENT OF EATON. IN THE CASE OF CONFLICTING CONTRACTUAL PROVISIONS, THIS NOTICE SHALL GOVERN THE STATUS OF THIS DOCUMENT.</p> <p style="text-align: right;">© 2011 Eaton Corporation - All Rights Reserved.</p> | | | | | | | | | |



POWER WIRING

SIGNAL WIRING



MBS STATUS (Provided by others, Installed by others)
0.75 - 2.5mm² twisted pair (if possible, else shielded)
No earth needed

PULL CHAIN (REDUNDANT ON BYP STATUS)
Provided by Eaton, Installed by Eaton

MOB STATUS (Provided by others, Installed by others)
0.75 - 2.5mm² twisted pair (if possible, else shielded)
No earth needed

PCAN (DUAL AS OPTION)
Provided by Eaton, Installed by Eaton

| | | | | | | | |
|---|------------|------------------------|-----------------|-------------------|------------|--------------|--|
| METRIC | | THIRD ANGLE PROJECTION | | EATON CORPORATION | | EATON | |
| DIMENSIONS ARE IN MILLIMETERS AFTER PLATING, DIMENSIONS AND TOLERANCES IN ACCORDANCE WITH ASME Y14.5M-1994. SEE NOTES FOR TOLERANCES. | | | | | | | |
| DESCRIPTION: 93E 40KVA Wiring Parallel Units | | | | | | | |
| ORIGINATED: Atif Rasheed | 26-08-2015 | ECO: | NAME: | REVISION: 001 | SIZE: A2 | | |
| MODIFIED: | | | | STATE: RELEASED | SCALE: 1:1 | | |
| CHECKED: | | DOCUMENT TYPE: | AUTOCAD DRAWING | | SHEET: 6 | OF 7 | |
| SAFETY: | | | | | | | |
| APPROVED: | | | | | | | |

EATON CORPORATION - CONFIDENTIAL AND PROPRIETARY
NOTICE TO PERSONS RECEIVING THIS DOCUMENT AND/OR TECHNICAL INFORMATION
THIS DOCUMENT, INCLUDING THE DRAWING AND INFORMATION CONTAINED THEREIN, IS CONFIDENTIAL AND IS THE EXCLUSIVE PROPERTY OF EATON CORPORATION, AND IS MERELY ON LOAN AND SUBJECT TO RECALL BY EATON AT ANY TIME.
BY TAKING POSSESSION OF THIS DOCUMENT, THE RECIPIENT ACKNOWLEDGES AND AGREES THAT THIS DOCUMENT CANNOT BE USED IN ANY MANNER ADVERSE TO THE INTERESTS OF EATON AND THAT NO PORTION OF THIS DOCUMENT MAY BE COPIED OR OTHERWISE REPRODUCED WITHOUT THE PRIOR WRITTEN CONSENT OF EATON. IN THE CASE OF CONFLICTING CONTRACTUAL PROVISIONS, THIS NOTICE SHALL GOVERN THE TERMS OF THIS DOCUMENT.
© 2011 Eaton Corporation - All Rights Reserved

93E 40KVA UPS Site Planning Data

Product Specifications

| UPS Rating | | AC Input | | 3P Rectifier Input Breaker (RIB) | | 3P+Bolted N Bypass Input Breaker (BIB) | | AC Output | | | 4P Inverter AC output Breaker MOB | | | Battery Breaker (BCB) (Ratings at the end of discharge, 1.67VPC) (32 Blocks) | | | For Single Unit Maintenance Bypass Switch (MBS) | For Parallel Units Common Maintenance Bypass Switch (MBS) | |
|------------|----|----------|----|----------------------------------|-----------------|--|--------------------------------------|-----------|---------------|-----------------|-----------------------------------|--------------------------------|--------------------|--|----------------------------------|--------------------|---|---|--------------------|
| | | | | Nominal Current | Maximum Current | Nominal Current at 400v Input | Maximum Current at 15% under voltage | | | | Output Current | Inverter Short Circuit Current | Auxiliary Switches | Rating | Battery end of discharge Current | Auxiliary Switches | Rating | Rating | Auxiliary Switches |
| KVA | KW | v | A | A | A | A | v | A | A / 0...100ms | A / 100...160ms | Qty | VDC | A | Qty | A | A | Qty | | |
| 40 | 36 | 400 | 61 | 68 | 58 | 66 | 400 | 58 | 130 | 67 | 1 | 500 | 122 | 1 | 58 | 58 x N | 1 | | |

Minimum recommended cable and fuse sizes

| UPS RATING KVA | Rectifier Input Cable [mm ²] (3P) | Rectifier Fuse [A] | Bypass Input Cable [mm ²] (3P+N) | Bypass Fuse [A] | UPS Output Cable [mm ²] (3P+N) | Output Fuse [A] | POS. & NEG. Line [mm ²] | Battery Fuse [A] | PE Cable [mm ²] | Recharge current | |
|----------------|--|--------------------|---|-----------------|---|-----------------|-------------------------------------|------------------|-----------------------------|------------------------------|------------------------------|
| | | | | | | | | | | Default Recharge Current [A] | Maximum Recharge Current [A] |
| 40 | 1 x 25 | 80 | 1 x 16 | 63 | 1 x 16 | 63 | 1 x 35 | 125 | 1 x 16 | 10,6 | 10,6 |

Notes:

1. Rectifier AC input current calculations: Nominal – 100% load without charging; Maximum – 100% load with maximum charging (Rectifier current limit).
2. Inverter AC output current calculation: At 100% rated output load.
3. The system must be installed on a level floor suitable for computer or electronic equipment.
4. All wiring and installations must be in accordance with applicable National and Local Electric Regulations.
5. AC input to UPS: (3) phases, (1) neutral, (1) ground.
AC output to load: (3) phases, (1) neutral, (1) ground.
DC input from battery to UPS: (1) positive, (1) negative, (1) ground.
6. All breakers should be adjusted according to the specified Ampere values to protect the UPS and installation.
7. For UPS installation that utilizes single feed input, The input breaker should be configured according to the rated rectifier input current.
8. Cable sizing is based on the standard IEC 60364–5–52 and IEC 60364–5–54. The sizing is for 70°C rated copper cables.
8. Specifications are subject to change.

| | | | | | |
|---|------------------------|--|-------|-----------------|------------|
| METRIC | THIRD ANGLE PROJECTION | EATON CORPORATION | | | |
| DIMENSIONS ARE IN MILLIMETERS AFTER PLATING, DIMENSIONS AND TOLERANCES IN ACCORDANCE WITH ASME Y14.5M-1994. SEE NOTES FOR TOLERANCES. | | | | | |
| DESCRIPTION: 93E 40KVA Specifications | | | | | |
| ORIGINATED: Atif Rasheed | 26-08-2015 | ECO: | NAME: | REVISION: 001 | SIZE: A2 |
| MODIFIED: | | DOCUMENT TYPE: | | STATE: RELEASED | SCALE: 1:1 |
| SAFETY: | | AUTOCAD DRAWING | | SHEET: 7 OF 7 | |
| APPROVED: | | EATON CORPORATION – CONFIDENTIAL AND PROPRIETARY NOTICE TO PERSONS RECEIVING THIS DOCUMENT AND/OR TECHNICAL INFORMATION THIS DOCUMENT, INCLUDING THE DRAWING AND INFORMATION CONTAINED THEREON, IS CONFIDENTIAL AND IS THE EXCLUSIVE PROPERTY OF EATON CORPORATION, AND IS MERELY ON LOAN AND SUBJECT TO RECALL BY EATON AT ANY TIME. BY TAKING POSSESSION OF THIS DOCUMENT, THE RECIPIENT ACKNOWLEDGES AND AGREES THAT THIS DOCUMENT CANNOT BE USED IN ANY MANNER ADVERSE TO THE INTERESTS OF EATON AND THAT NO PORTION OF THIS DOCUMENT MAY BE COPIED OR OTHERWISE REPRODUCED WITHOUT THE PRIOR WRITTEN CONSENT OF EATON. IN THE CASE OF CONFLICTING CONTRACTUAL PROVISIONS, THIS NOTICE SHALL GVERN THE SOURCE OF THIS DOCUMENT. | | | |
| © 2011 Eaton Corporation – All Rights Reserved | | | | | |