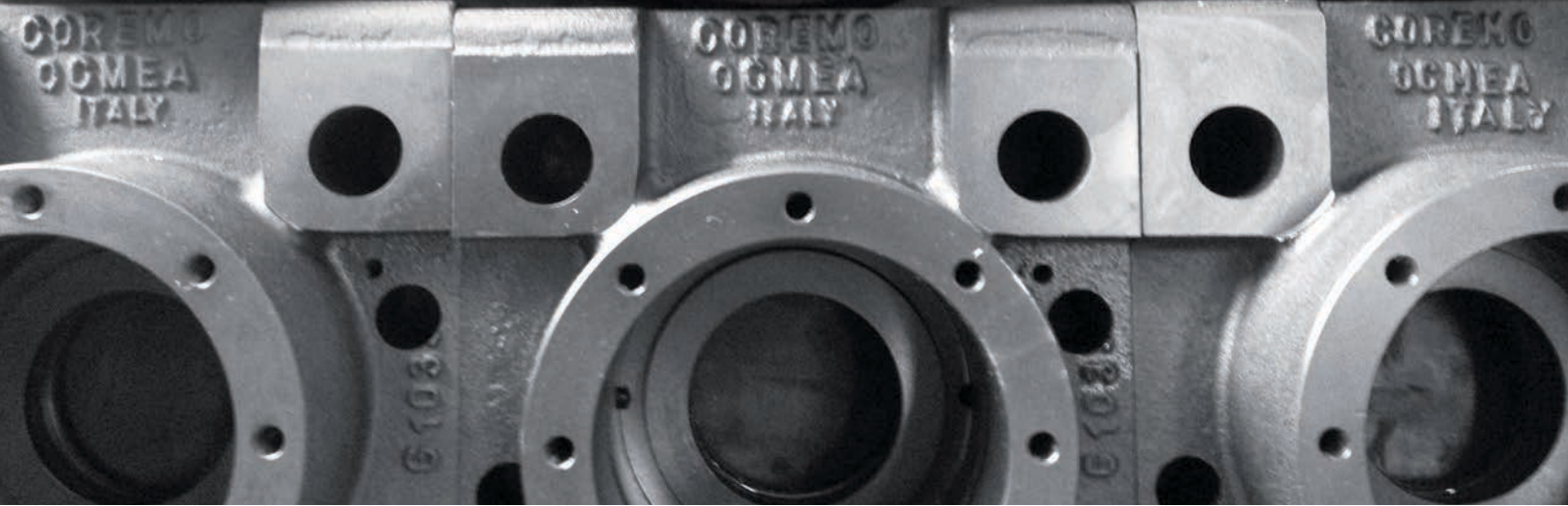


Eaton Coremo hydraulic brakes and accessories

Safe, reliable hydraulic braking solutions



A legacy of meticulous design, high-quality components and reliable production



Our services

Drawing on a long tradition in the manufacture of brakes and clutches, Eaton and Coremo Ocmea have partnered to become a global leader in safe, reliable solutions for industrial, marine, oil and gas, energy and entertainment sector applications. We offer a broad range of hydraulic caliper brakes, as well as services with a high degree of customization.

Design services

Our goal is to design and provide a braking solution suitable for your specific application, through a process characterized by continuous research and development, cost optimization, customization and FEM analysis.

Products

A wide range of brakes and accessories are available and verified by both internal and external quality tests. Our product range includes hydraulic brakes, pneumatic brakes, multi-discs brakes, water-cooled brakes, air-cooled brakes, customized brakes, clutches, hydraulic power units, discs, couplings and accessories.

Supply chain services

A large network of sales representatives, distributors and support staff allows us to meet our customers' needs and provide flexible service worldwide. We offer quick response time, stocked parts, short delivery terms and customized labeling.

After-sales support

Any post-sales help, questions or special needs are quickly and thoroughly addressed by our specialists. In addition to technical support, we offer dedicated training, spare parts availability and product reconditioning.

A solution for the safety requirements of a wide range of industrial applications



Eaton Coremo hydraulic brakes

HYDRAULIC POWER PACKS

Hydraulic thruster caliper brakes

Oil applied



The certified, tested and inspected SG iron levers are designed to withstand the stresses generated during dynamic braking, while the steel thruster is calculated to support pressures of over 100 bar. The lining pads are produced using friction materials compliant with the relevant standards on safety and toxic substances.

Spring applied



Our brakes can be supplied complete with wear indicator and on/off switch. Operating temperatures range from -20 °C to +200 °C.



Direct hydraulic brakes

Oil applied



Brake bodies — in cast iron or steel — are designed to withstand high pressures and prevent oil leaks. Brake operating temperatures range from -20 °C to +200 °C, with solutions available for -40 °C. ID direct hydraulic brakes are supplied with wear indicators. Inductive on/off positioning sensors can be mounted upon request.

Spring applied



The steel and SG iron bodies are certified, tested and inspected. ID brakes are designed to withstand the stresses generated during dynamic braking, while the steel bodies are calculated to support pressures of over 200 bar.

Our hydraulic power packs are engineered to complete the braking system and make it more efficient, safe and suitable for the specific application. All power units have redundant return valves, an oil temperature control system and a hand-operated system to be used in case of power failure. The units are available for both oil-applied and spring-applied hydraulic brakes.

The size of the tank, pump and motor are selected based on the type and quantity of brakes to be powered. Distances, braking time, reaction time, piping, unit positioning, temperature and certifications are also considered in specifying the correct power pack.

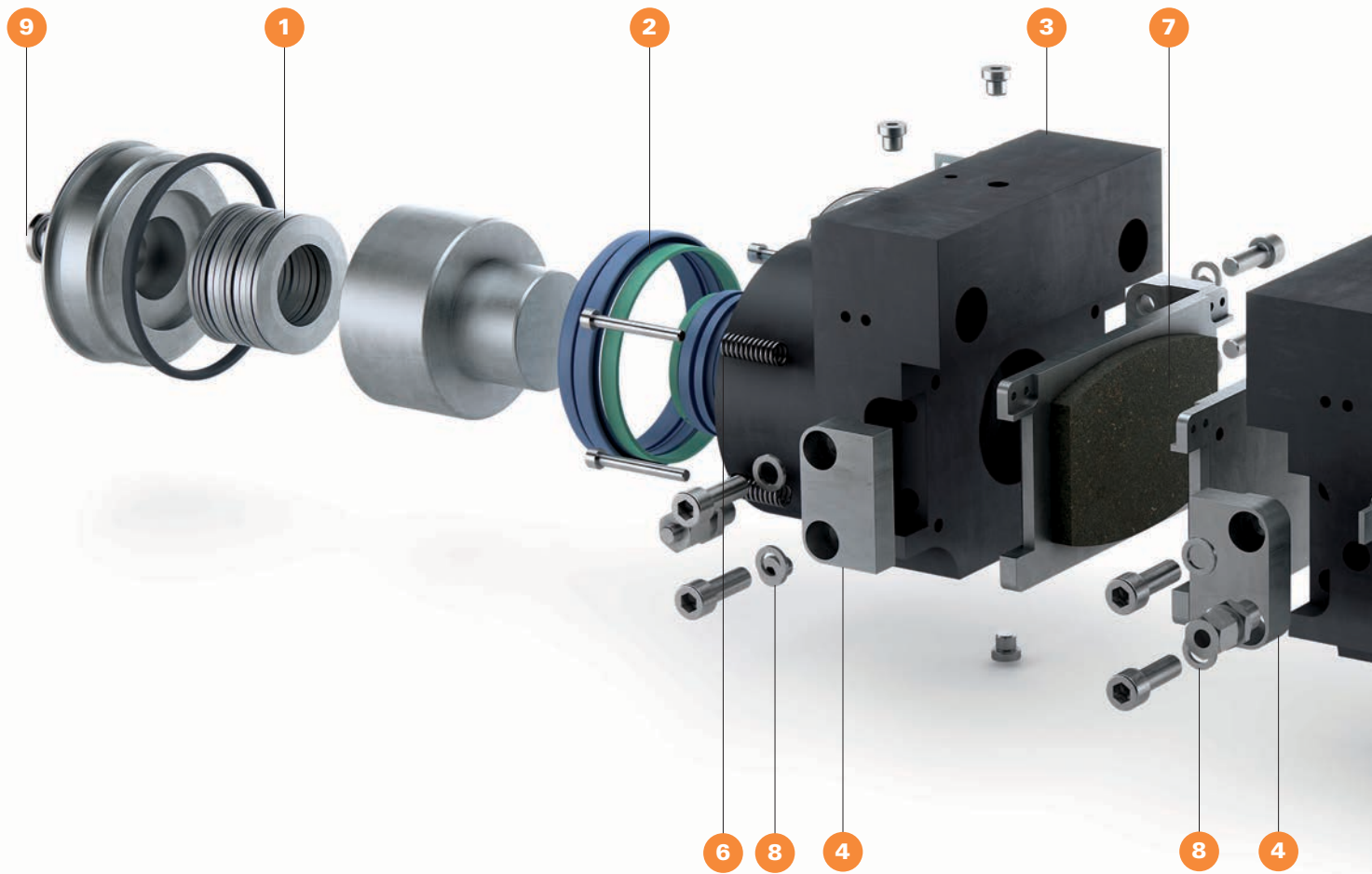
Hydraulic brakes

Our hydraulic brakes cover a clamping force ranging from 10,000 N to 750,000 N.

Custom paint and treatments are available to meet specific customer needs or environmental conditions. For offshore applications, our brakes meet ISO 12944 class C5M corrosion protection to reduce maintenance and life-cycle costs.

Special attention is paid to the selection and combination of different materials and their treatments to minimize the electrolytic effect, which can produce unexpected oxidation in saltwater environments.

Special steel and treatments are used in low-temperature applications.



1 Spring pack
Cup spring pack designed for 2 million cycles.

2 Seals
Premium seals for high-pressure use and wide working temperature range.

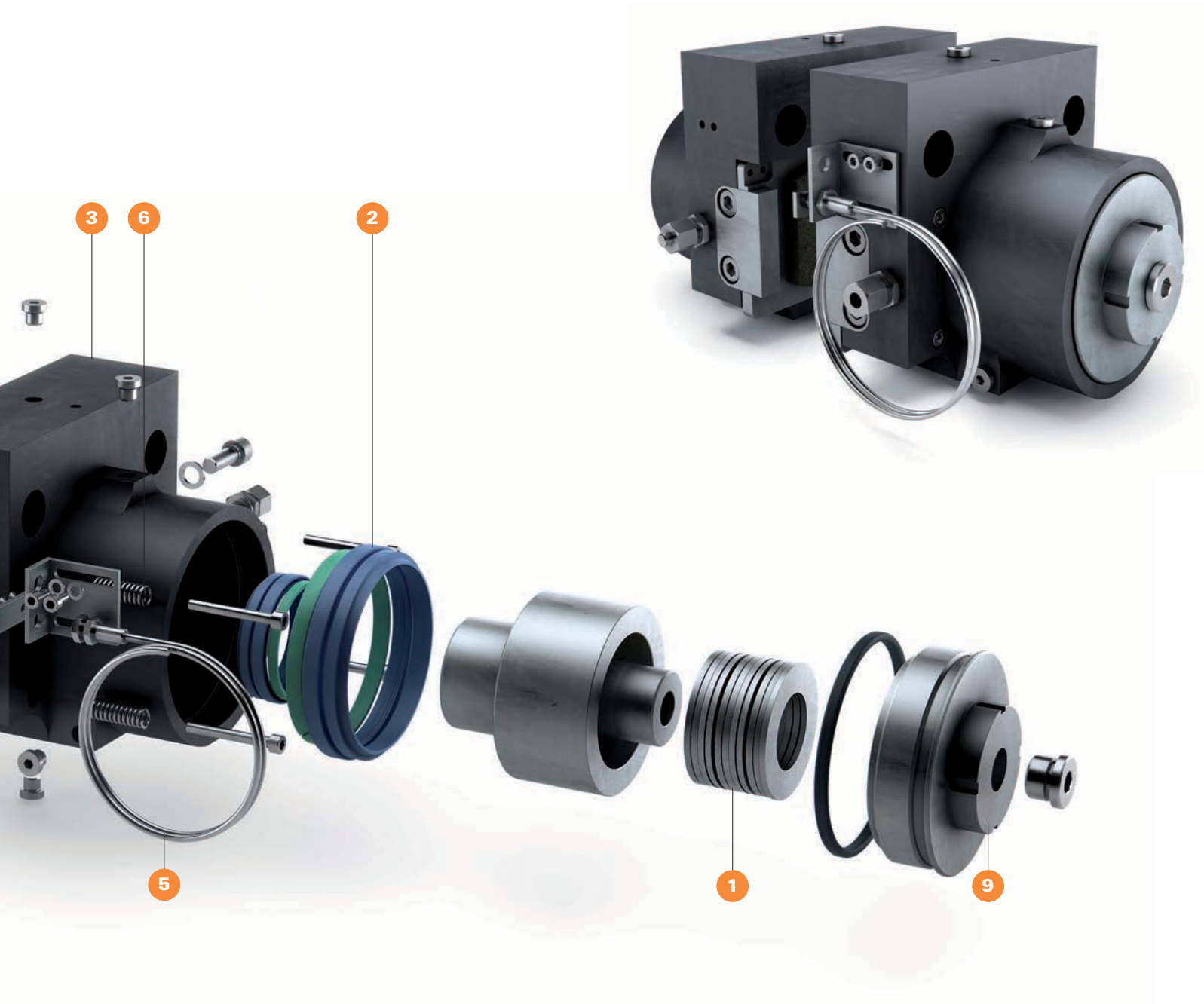
3 Body
Steel body.

4 Lateral guides
Steel-made guides designed to support lateral forces and preserve the seals.

5 On/Off
Inox inductive switch.

6 Return spring system
To ensure pad/disc disengagement.

All materials, paint and treatments of the brake parts and components have been chosen to resist corrosion in saltwater environments (full offshore protection) and minimize the electrolytic effect.



7 Pads
Self-aligning pads to reduce break-in time.

8 Washers
Anti-vibration approved washers.

9 Wear compensation system
New easy-to-handle design.

Hydraulic brakes

Hydraulic caliper brakes

Oil applied



A3-ID



D3-ID



F3-ID



G3-ID

Hydraulic caliper brakes

Spring applied



A3N-ID



D2N-ID



D3N-ID



EL4N-ID



F2N-ID



G3N-ID

Direct hydraulic brakes

Oil applied



ID800



ID900



ID1500



ID2000



ID3000



ID3000N



ID3005N

Direct hydraulic brakes

Spring applied



ID800N



ID900N



ID1500N



ID2000N



ID2500N



ID3000N



ID3005N

Other products

Brake discs



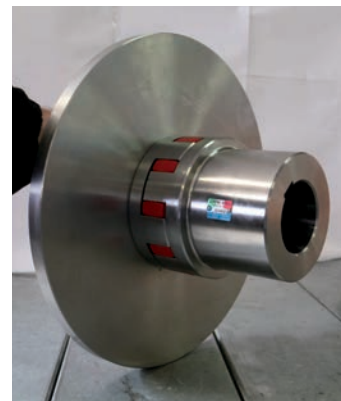
We offer a large range of standard or customized discs and mounting hubs. Flat steel discs, with or without hub, have been added to our cast iron disc offering. Made in normalized steel (C40+N) or stainless steel (AISI 316L), these discs have been tested and approved to perform with our friction material pads. They are available in 250 to 600 mm diameters and 12.7 to 25.5 mm thicknesses with surface hardness from 190 to 220 HB and roughness of 1.6 μm . Customized discs are also available.

Spare parts



Coremo maintains a safety stock and reacts quickly to spare parts requests. Brake linings, pistons, sensors and seals are available promptly to help our customers avoid downtime.

Shaft couplings



To offer a complete solution to our customers, Coremo can now supply a wide range of shaft couplings, thanks to a valued new partnership. Gear, flexible, steel lamina and flanged couplings are available with or without discs.

Eaton
1000 Eaton Boulevard
Cleveland, OH 44122
United States
1-800-AIRFLEX
airflexcustomerservice@eaton.com
Eaton.com/airflex

© 2018 Eaton
All Rights Reserved
Printed in USA
Publication No. E-CLCL-BB011-E
April 2018

Eaton is a registered trademark.

All other trademarks are property
of their respective owners.

Coremo Ocmea S.p.A.
Via G. Galilei 12
20090 Assago (MI)
T + 39 02 488 0697
F + 39 02 4881940
info@coremo.it
coremo.com



ISO 9001 - 2008
Cert. n. 0238



Follow us on social media to get the
latest product and support information.

